

Specification

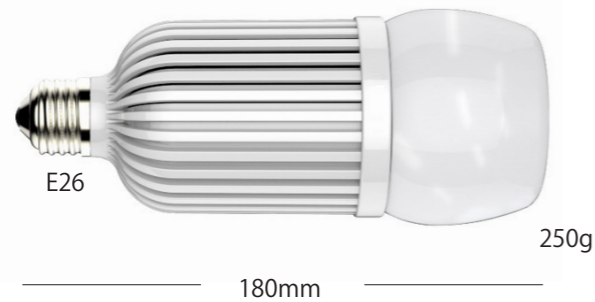
BUILT-IN POWER

	Replaceable Output	Size	Socket	Color rendering properties
LINDA-AIR-40	mercury lamp100W	Φ75 x 180mm	E26	Ra83(2700K)/Ra76(5700K)
LINDA-AIR-60	mercury lamp100~250W	Φ110 x 237mm	E39	Ra83(2700K)/Ra83(5700K)
LINDA-AIR-80	mercury lamp250W	Φ110 x 237mm	E39	Ra83(2700K)/Ra76(5700K)

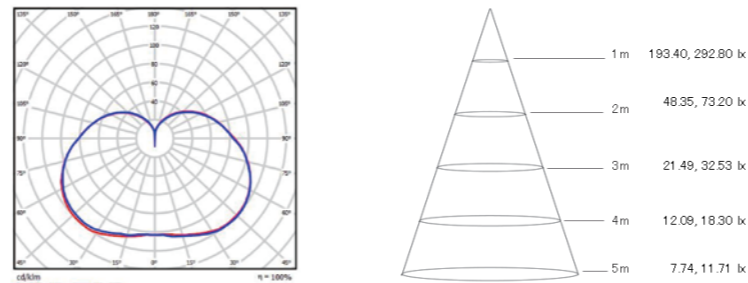
	Power	Voltage	Total light flux	Luminous intensity angle
LINDA-AIR-40	40W	100V~277V	3,000lm(2700K)/3,800lm(5700K)	270°
LINDA-AIR-60	60W	100V~277V	4,200lm(2700K)/5,580lm(5700K)	270°
LINDA-AIR-80	80W	100V~277V	6,240lm(2700K)/8,000lm(5700K)	270°

	Color temperature	Weight	Guaranteed operating temperature	Light efficiency
LINDA-AIR-40	2700K/5700K	250g	-40°C - 60°C	75lm/W(2700K)/95lm/W(5700k)
LINDA-AIR-60	2700K/5700K	400g	-40°C - 60°C	70lm/W(2700K)/93lm/W(5700k)
LINDA-AIR-80	2700K/5700K	400g	-40°C - 60°C	78lm/W(2700K)/100lm/W(5700k)

SIZE (LINDA-AIR-40)



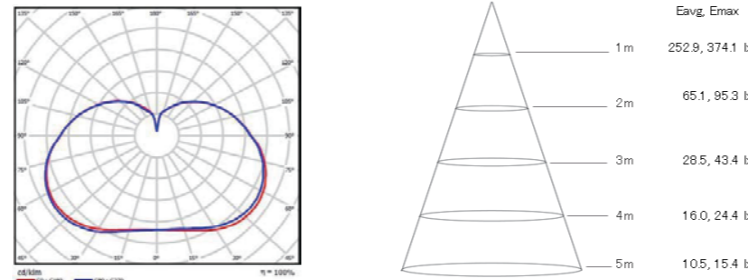
Distribution Curve and Illumination Intensity (LINDA-AIR-40)



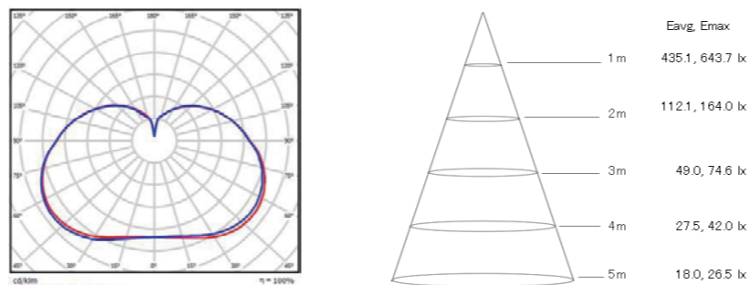
SIZE (LINDA-AIR-60 / LINDA-AIR-80)



Distribution Curve and Illumination Intensity (LINDA-AIR-60)



Distribution Curve and Illumination Intensity (LINDA-AIR-80)



Heat
Dissipation
Revolution

LINDA
Air

Heatpipe + Fan = Double cooling system
Usable In Airtight Luminaires
Easy installment

PRIMESTAR CO., LTD

<http://primestar.co.jp/> TEL : 03-6869-6606

FAX : 03-6869-6607 EMAIL : info@primestar.co.jp

7F, Akasaka Subaru Building, 5-5-9, Akasaka, Tokyo, Japan (1F Showroom)



Features

We produce High-Efficiency, High-Output and Ultralight LED Lightings using HEATPIPE Heat sink

Feature 1

Usable In Airtight Luminaires

Feature 2

High Efficiency Heat Sink

Feature 3

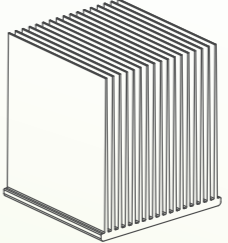
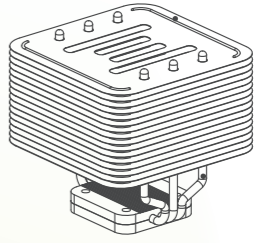
The World's Lightest and Most Compac LED Lamps

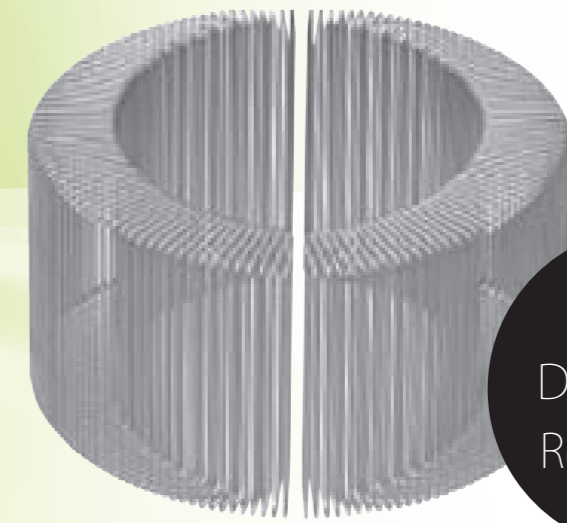
Feature 4

Flicker Free



So far...

Metal Heat Sink	Heat Pipe Heat Sink
	
<ul style="list-style-type: none">• Slow heat transfer rate• Inefficient air flow• Use large quantity of raw materials, which increase the weight and production cost	<ul style="list-style-type: none">• Utilize high thermal conductivity of heat pipe• Heat pipe' s thermal conductivity is high [40,000 W/m·K], but it slows down through metal plate [401 W/m·K]• Inefficient air flow• Large quantity of raw materials used increasing the weight and production cost



Heat Dissipation Revolution

Heatpipe +Fan =Double cooling system

Utilize high thermal conduction property and heat dissipation ability of HEATPIPE

- HEATPIPE' s thermal conductivity = 40,000 W/m·K
- The fastest heat transfer rate
- Excellent air flow and no limitation of directionality
- Sufficient heat dissipation area
- Less raw materials used reducing the weight and production cost



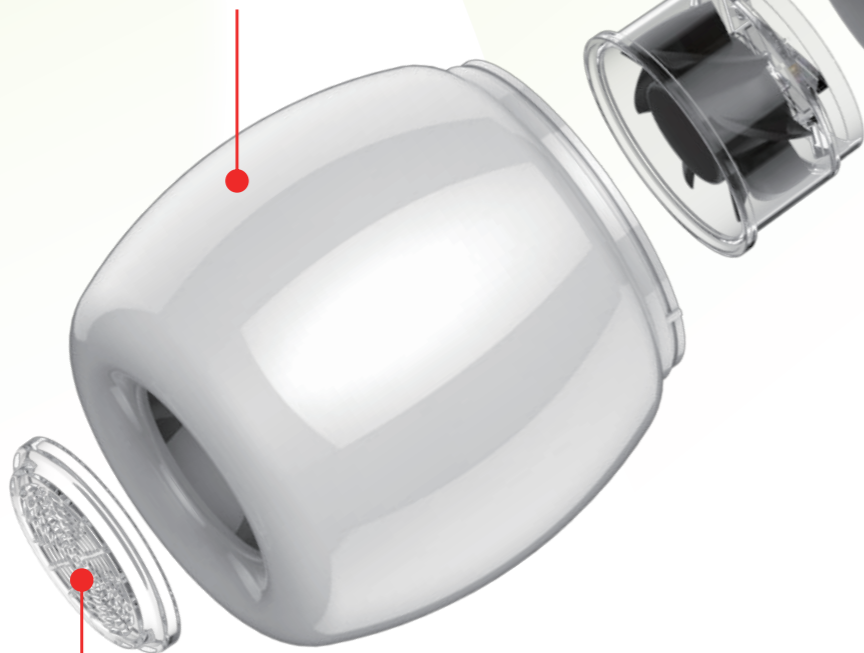
LINDA Air Heat Sink On PCB

Removed a metal thermal base and TIM, and attached ICEPIPE directly to PCB

- 1 . Lesser heat resistance
- 2 . The weight and cost reduced from the 3rd generation

Diffuser Bulb

- 1 . No Glare
- 2 . Offers wide range of brightness



Vent Cap

Adopted "In-Flow" method for the vent cap at the bottom of the bulb that guides air flow



Cover

The vents at the crown of the cover circulate heat inside to outside

E39/E40 Socket

Power Supply

- 1 . Flicker Free

An automatic circuit breaker is added to protect against a power surge. The second circuit automatically adjusts power consumption in case of extremely high temperature or fire.

- 2 . Embedded Fire Protection System

By supplying electricity to LEDs after converting AC to consistent DC, Flicker problem is fundamentally solved, and LED life is extended by reducing stress on LEDs.

LINDA Air CTI (Ceramic Treated ICEPIPE)

- 1 . Ultra Small & Light simplifies Installation,Increases Safety
- 2 . The surface of ICEPIPE is strengthened by anti-corrosion coating
- 3 . Registered (U.S., China) or applied (Europe,Japan, Australia, etc.) for patents worldwide
- 4 . Maximization of Air Flow through Aerodynamic Design
- 5 . Maximization of Heat Dissipation

Quality Testing System

ICEPIPE maintains the reliability of our products at its best quality by incorporating quality inspection system

practiced by various high-tech equipments. ICEPIPE have quality inspection system consisted of about 50

tests such as Integrating Sphere Test, Goniophotometer Test, Air Leak Test, and Thermal Imaging Camera Test



Integrating Sphere Test

Optical performance can be measured by integrating sphere test and product lifetime can be predicted by tracking product's capacity per time.



Air Leak Test

Operating conditions can be predicted by measuring the pressure limit and checking if the product is completely sealed.



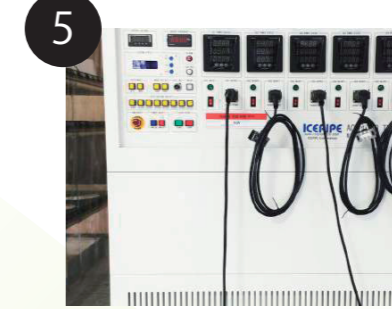
Temperature & Humidity Test

Operating conditions can be predicted to see product durability depending on ambient temperature and humidity by Temperature & Humidity Test.



Vibration Test

Product durability can be measured and operating conditions can be predicted by Vibration Test.



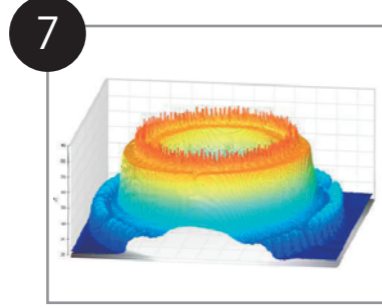
Voltage Fluctuation Test

Electrical durability and life cycle of product can be predicted by Voltage Fluctuation Test.



Goniophotometer Test

Product performance and beam angles can be comprehensively measured by Goniophotometer Test



Thermo-graphic Camera Test

Durability and heat dissipating performance of heat sinks can be tested by Thermal Imaging camera.



Temperature Variation Test

Product operating conditions and its life cycle depending on temperature change can be measured by Temperature Variation Test.



Repeated On/Off Test

Electrical durability of the product is tested by conducting repeated on/off test.



Aging Test

Life cycle can be predicted by measuring long-term performance of a product through Aging Test.